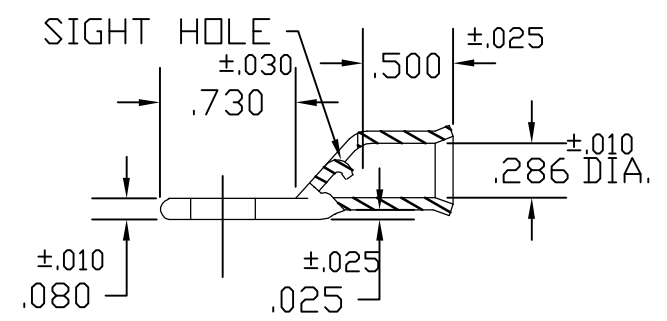
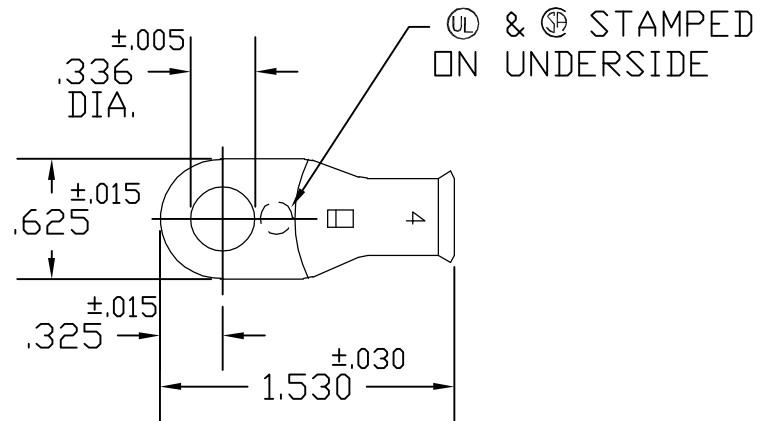


THIS DRAWING IS UNPUBLISHED. RELEASED FOR PUBLICATION  
 © COPYRIGHT BY TYCO ELECTRONICS CORPORATION. ALL RIGHTS RESERVED.

LOC	DIST	REVISIONS					
		P	LTR	DESCRIPTION	DATE	DWN	APVD
G	50		A1	REVISED PER ECR-06-009961	28APR06	HMR	JR



ACTIVE	4562-03	STANDARD	TIN PLATE	1526252-2
ACTIVE	4562-02	STANDARD	PLAIN	1526252-1
STATUS	AET P/N	PACKAGING	FINISH	PART NUMBER

THIS DRAWING IS A CONTROLLED DOCUMENT.		DWN D.A.A	10/18/00	Tyco Electronics Corporation Harrisburg, PA 17105-3608			
DIMENSIONS: INCHES		CHK H.D.F	10/18/00			NAME	
		APVD H.D.F	10/18/00			4 STANDARD TERMINAL W/SIGHT HOLE	
TOLERANCES UNLESS OTHERWISE SPECIFIED:		PRODUCT SPEC		RESTRICTED TO			
0 PLC ± - 1 PLC ± - 2 PLC ± - 3 PLC ± - 4 PLC ± - ANGLES ± -		APPLICATION SPEC		SIZE	CAGE CODE		
MATERIAL COPPER ASTM B-152		WEIGHT		A3	00779		
FINISH		CUSTOMER DRAWING		DRAWING NO	1526252		
		SCALE		SHEET	REV		
		1:1		1 OF 1	A1		